

- 1
- 2
- 3
- 4
- 5
- 6
- 7
- 8
- 9
- 10
- 11
- 12
- 13
- 14
- 15
- 16
- 17
- 18

STANDARD EXECUTIONS

Base with stainless steel 304 threaded blind ball joint:

- LMP-SST (d): without no-slip disk.
- LMP-SST-TR (d): with thermoplastic elastomer no-slip coating (TPE)
- LMP-SST-TV (d): with vulcanised rubber (NBR) with no-slip coating hardness 70 tolerance +/-5 Shore A.

AISI 304 stainless steel base and nut, AISI 303 stainless steel threaded stem:

- LMP-SST (d - l): without no-slip disk.
- LMP-SST-TR (d - l): with thermoplastic elastomer no-slip coating (TPE)
- LMP-SST-TV (d - l): with vulcanised rubber (NBR) with no-slip coating hardness 70 tolerance +/-5 Shore A.

Base, threaded stem and nut in AISI 316L stainless steel:

- LMP-A4 (d - l): without no-slip disk.
- LMP-A4-TR (d - l): with thermoplastic elastomer no-slip coating (TPE)
- LMP-A4-TV (d - l): with vulcanised rubber (NBR) with no-slip coating hardness 70 tolerance +/-5 Shore A.

SET SCREW

AISI 304 stainless steel.

FEATURES

The resistance of the levelling feet to a static load is obviously limited by the permissible load capacity of the rod (steel strength class 500 N/mm²).

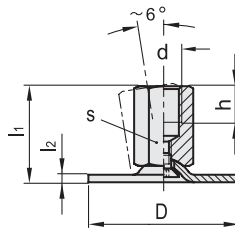
The static load values in the table below are the result of laboratory tests in which the load has been applied perpendicularly to the base. Such values have to be considered as purely indicative and must be verified under the specific conditions of use.

Under common working conditions, side or angular loading increases the stress on the stem and reduces its load capacity.

It's the user's responsibility to determine, case by case, whether the product is suitable for the intended use.



Conversion Table	
1 mm = 0.039 inch	
D	
mm	inch
40	1.57
50	1.97
60	2.36
80	3.15

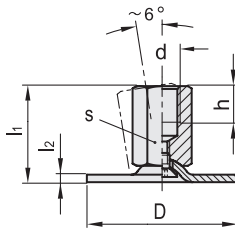


LMP-SST (d)

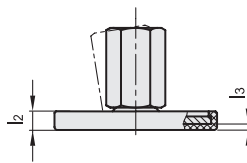
Code	Description	D	d	l1	l2	h	s	Max. limit static load [N]	⚖️
404491	LMP.40-SST-M8	40	M8	25	2	8	14	8000	41
404492	LMP.40-SST-M10	40	M10	28	2	10	14	12000	41
403104	LMP.40-SST-M12	40	M12	31	2	12	17	12000	60
404541	LMP.50-SST-M8	50	M8	25	2.5	8	14	8000	61
404542	LMP.50-SST-M10	50	M10	28	2.5	10	14	14000	71
404590	LMP.60-SST-M8	60	M8	25	2.5	8	14	8000	81
404591	LMP.60-SST-M10	60	M10	28	2.5	10	14	14000	86
404592	LMP.60-SST-M12	60	M12	32	2.5	12	17	16000	101
404644	LMP.80-SST-M10	80	M10	29	3	10	14	14000	121
404640	LMP.80-SST-M12	80	M12	32	3	12	17	20000	141
404645	LMP.80-SST-M16	80	M16	38	3	16	22	20000	161

Levelling feet and supports

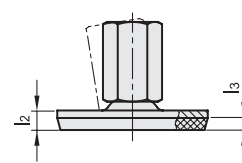
Conversion Table 1 mm = 0.039 inch	
D	
mm	inch
40	1.57
43	1.69
50	1.97
54	2.13
60	2.36
64	2.52
80	3.15
84	3.31



LMP-SST-TR



LMP-SST-TV



LMP-SST-TR (d)

INOX STAINLESS STEEL METRIC

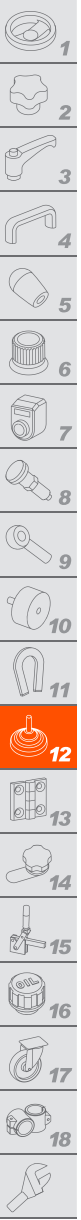
Code	Description	D	d	l1	l2	l3	h	s	Max. limit static load [N]	⚖️
404699	LMP.40-SST-M8-TR	43	M8	25	5	1.5	8	14	8000	46
404700	LMP.40-SST-M10-TR	43	M10	28	5	1.5	10	14	12000	46
404704	LMP.40-SST-M12-TR	43	M12	31	5	1.5	12	17	12000	60
404741	LMP.50-SST-M8-TR	54	M8	25	6	2	8	14	8000	61
404742	LMP.50-SST-M10-TR	54	M10	28	6	2	10	14	14000	71
404790	LMP.60-SST-M8-TR	64	M8	25	6	2	8	14	8000	81
404791	LMP.60-SST-M10-TR	64	M10	28	6	2	10	14	14000	86
404792	LMP.60-SST-M12-TR	64	M12	32	6	2	12	17	16000	101
404844	LMP.80-SST-M10-TR	84	M10	29	7	2	10	14	14000	121
404840	LMP.80-SST-M12-TR	84	M12	32	7	2	12	17	20000	141
404845	LMP.80-SST-M16-TR	84	M16	38	7	2	16	22	20000	161

LMP-SST-TV (d)

INOX STAINLESS STEEL METRIC

Code	Description	D	d	l1	l2	l3	h	s	Max. limit static load [N]	⚖️
403501	LMP.40-SST-M8-TV	40	M8	25	5.5	3.5	8	14	8000	46
403502	LMP.40-SST-M10-TV	40	M10	28	5.5	3.5	10	14	12000	46
403500	LMP.40-SST-M12-TV	40	M12	31	5.5	3.5	12	17	12000	78
403521	LMP.50-SST-M8-TV	50	M8	25	6.5	4	8	14	8000	61
403522	LMP.50-SST-M10-TV	50	M10	28	6.5	4	10	14	14000	71
403541	LMP.60-SST-M8-TV	60	M8	25	7	4.5	8	14	8000	81
403542	LMP.60-SST-M10-TV	60	M10	28	7	4.5	10	14	14000	56
403543	LMP.60-SST-M12-TV	60	M12	32	7	4.5	12	17	16000	101
403561	LMP.80-SST-M10-TV	80	M10	29	8	5	10	14	14000	121
403562	LMP.80-SST-M12-TV	80	M12	32	8	5	12	17	20000	141
403563	LMP.80-SST-M16-TV	80	M16	38	8	5	16	22	20000	161

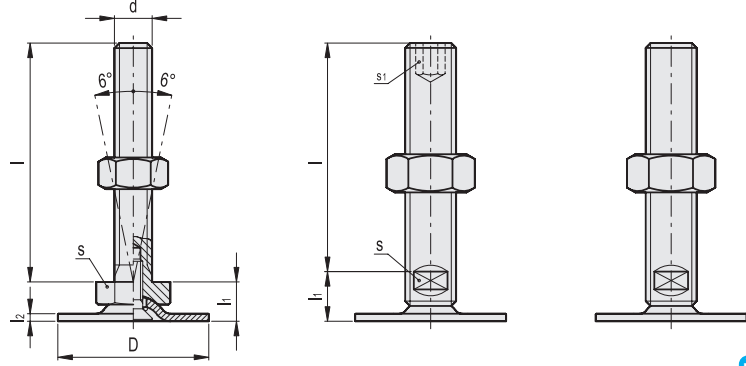




LMP-SST
LMP-A4
(M8-M10-M12)

LMP-SST
(M16-M20-M24)

LMP-A4
(M16-M20-M24)



Conversion Table
1 mm = 0.039 inch

mm	inch
40	1.57
50	1.97
60	2.36



LMP-SST (d - l)

LMP-A4 (d - l)

Code	Description	Code	Description	D	d	l	l1	l2	s	s1#	Max. limit static load [N]	⚖️
404501	LMP.40-SST-M8x40	395061	LMP.40-A4-M8x40	40	M8	40	11	2	17	-	8000	41
404502	LMP.40-SST-M8x50	395065	LMP.40-A4-M8x50	40	M8	50	11	2	17	-	8000	51
404503	LMP.40-SST-M8x63	395069	LMP.40-A4-M8x63	40	M8	63	11	2	17	-	8000	56
404511	LMP.40-SST-M10x50	395001	LMP.40-A4-M10x50	40	M10	50	11	2	17	-	12000	61
404513	LMP.40-SST-M10x60	395005	LMP.40-A4-M10x60	40	M10	60	11	2	17	-	12000	71
404515	LMP.40-SST-M10x80	395009	LMP.40-A4-M10x80	40	M10	80	11	2	17	-	12000	81
404517	LMP.40-SST-M10x100	395013	LMP.40-A4-M10x100	40	M10	100	11	2	17	-	12000	101
404521	LMP.40-SST-M12x60	395031	LMP.40-A4-M12x60	40	M12	60	11	2	17	-	12000	91
404523	LMP.40-SST-M12x80	395035	LMP.40-A4-M12x80	40	M12	80	11	2	17	-	12000	111
404525	LMP.40-SST-M12x100	395039	LMP.40-A4-M12x100	40	M12	100	11	2	17	-	12000	131
404527	LMP.40-SST-M12x125	395043	LMP.40-A4-M12x125	40	M12	125	11	2	17	-	12000	152
404531	LMP.40-SST-M16x75	395091	LMP.40-A4-M16x75	40	M16	75	17	2	12	8	12000	162
404533	LMP.40-SST-M16x100	395094	LMP.40-A4-M16x100	40	M16	100	17	2	12	8	12000	177
404535	LMP.40-SST-M16x125	395097	LMP.40-A4-M16x125	40	M16	125	17	2	12	8	12000	192
404537	LMP.40-SST-M16x150	395100	LMP.40-A4-M16x150	40	M16	150	17	2	12	8	12000	217
404539	LMP.40-SST-M16x200	395103	LMP.40-A4-M16x200	40	M16	200	17	2	12	8	12000	303
404551	LMP.50-SST-M8x40	395201	LMP.50-A4-M8x40	50	M8	40	11	2.5	17	-	8000	71
404552	LMP.50-SST-M8x50	395205	LMP.50-A4-M8x50	50	M8	50	11	2.5	17	-	8000	122
404553	LMP.50-SST-M8x63	395209	LMP.50-A4-M8x63	50	M8	63	11	2.5	17	-	8000	76
404561	LMP.50-SST-M10x50	395231	LMP.50-A4-M10x50	50	M10	50	11	2.5	17	-	14000	79
404563	LMP.50-SST-M10x60	395235	LMP.50-A4-M10x60	50	M10	60	11	2.5	17	-	14000	89
404565	LMP.50-SST-M10x80	395239	LMP.50-A4-M10x80	50	M10	80	11	2.5	17	-	14000	101
404567	LMP.50-SST-M10x100	395243	LMP.50-A4-M10x100	50	M10	100	11	2.5	17	-	14000	109
404571	LMP.50-SST-M12x60	395261	LMP.50-A4-M12x60	50	M12	60	11	2.5	17	-	14000	105
404573	LMP.50-SST-M12x80	395265	LMP.50-A4-M12x80	50	M12	80	11	2.5	17	-	14000	115
404575	LMP.50-SST-M12x100	395269	LMP.50-A4-M12x100	50	M12	100	11	2.5	17	-	14000	131
404577	LMP.50-SST-M12x125	395273	LMP.50-A4-M12x125	50	M12	125	11	2.5	17	-	14000	157
404581	LMP.50-SST-M16x75	395291	LMP.50-A4-M16x75	50	M16	75	17	2.5	12	8	14000	177
404583	LMP.50-SST-M16x100	395295	LMP.50-A4-M16x100	50	M16	100	17	2.5	12	8	14000	210
404585	LMP.50-SST-M16x125	395299	LMP.50-A4-M16x125	50	M16	125	17	2.5	12	8	14000	245
404587	LMP.50-SST-M16x150	395303	LMP.50-A4-M16x150	50	M16	150	17	2.5	12	8	14000	280
404589	LMP.50-SST-M16x200	395307	LMP.50-A4-M16x200	50	M16	200	17	2.5	12	8	14000	322
404601	LMP.60-SST-M8x40	395401	LMP.60-A4-M8x40	60	M8	40	11	2.5	17	-	8000	89
404602	LMP.60-SST-M8x50	395405	LMP.60-A4-M8x50	60	M8	50	11	2.5	17	-	8000	93
404603	LMP.60-SST-M8x63	395409	LMP.60-A4-M8x63	60	M8	63	11	2.5	17	-	8000	98
404611	LMP.60-SST-M10x50	395431	LMP.60-A4-M10x50	60	M10	50	11	2.5	17	-	14000	102
404613	LMP.60-SST-M10x60	395435	LMP.60-A4-M10x60	60	M10	60	11	2.5	17	-	14000	107
404615	LMP.60-SST-M10x80	395439	LMP.60-A4-M10x80	60	M10	80	11	2.5	17	-	14000	116
404617	LMP.60-SST-M10x100	395443	LMP.60-A4-M10x100	60	M10	100	11	2.5	17	-	14000	132
404621	LMP.60-SST-M12x60	395461	LMP.60-A4-M12x60	60	M12	60	11	2.5	17	-	16000	125
404623	LMP.60-SST-M12x80	395465	LMP.60-A4-M12x80	60	M12	80	11	2.5	17	-	16000	138
404625	LMP.60-SST-M12x100	395469	LMP.60-A4-M12x100	60	M12	100	11	2.5	17	-	16000	153
404627	LMP.60-SST-M12x125	395473	LMP.60-A4-M12x125	60	M12	125	11	2.5	17	-	16000	169
404631	LMP.60-SST-M16x75	395491	LMP.60-A4-M16x75	60	M16	75	17	2.5	12	8	16000	195
404633	LMP.60-SST-M16x100	395495	LMP.60-A4-M16x100	60	M16	100	17	2.5	12	8	16000	220
404635	LMP.60-SST-M16x125	395499	LMP.60-A4-M16x125	60	M16	125	17	2.5	12	8	16000	261
404637	LMP.60-SST-M16x150	395503	LMP.60-A4-M16x150	60	M16	150	17	2.5	12	8	16000	292
404639	LMP.60-SST-M16x200	395507	LMP.60-A4-M16x200	60	M16	200	17	2.5	12	8	16000	363

Levelling feet and supports

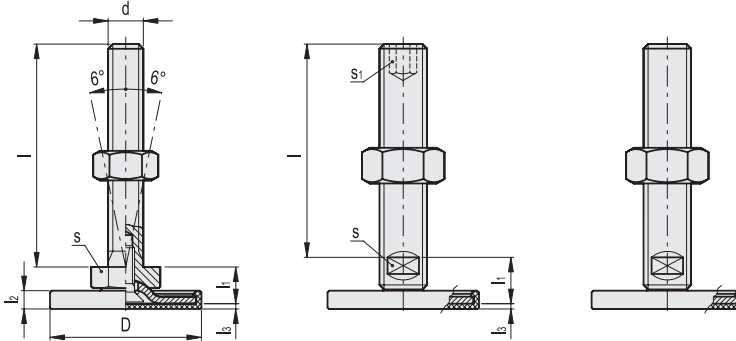
LMP-SST (d - l)		LMP-A4 (d - l)		INOX STAINLESS STEEL		METRIC				Max. limit static load [N]		
Code	Description	Code	Description	D	d	l	l1	l2	s	s#		
404641	LMP.80-SST-M8x40	395601	LMP.80-A4-M8x40	80	M8	40	12	3	17	-	8000	152
404642	LMP.80-SST-M8x50	395605	LMP.80-A4-M8x50	80	M8	50	12	3	17	-	8000	156
404643	LMP.80-SST-M8x63	395609	LMP.80-A4-M8x63	80	M8	63	12	3	17	-	8000	162
404651	LMP.80-SST-M10x50	395631	LMP.80-A4-M10x50	80	M10	50	12	3	17	-	14000	164
404653	LMP.80-SST-M10x60	395635	LMP.80-A4-M10x60	80	M10	60	12	3	17	-	14000	177
404655	LMP.80-SST-M10x80	395639	LMP.80-A4-M10x80	80	M10	80	12	3	17	-	14000	182
404657	LMP.80-SST-M10x100	395643	LMP.80-A4-M10x100	80	M10	100	12	3	17	-	14000	202
404661	LMP.80-SST-M12x60	395661	LMP.80-A4-M12x60	80	M12	60	12	3	17	-	20000	185
404663	LMP.80-SST-M12x80	395665	LMP.80-A4-M12x80	80	M12	80	12	3	17	-	20000	210
404665	LMP.80-SST-M12x100	395669	LMP.80-A4-M12x100	80	M12	100	12	3	17	-	20000	220
404667	LMP.80-SST-M12x125	395673	LMP.80-A4-M12x125	80	M12	125	12	3	17	-	20000	235
404671	LMP.80-SST-M16x75	395691	LMP.80-A4-M16x75	80	M16	75	18	3	12	8	20000	255
404673	LMP.80-SST-M16x100	395695	LMP.80-A4-M16x100	80	M16	100	18	3	12	8	20000	280
404675	LMP.80-SST-M16x125	395699	LMP.80-A4-M16x125	80	M16	125	18	3	12	8	20000	292
404677	LMP.80-SST-M16x150	395703	LMP.80-A4-M16x150	80	M16	150	18	3	12	8	20000	364
404679	LMP.80-SST-M16x200	395707	LMP.80-A4-M16x200	80	M16	200	18	3	12	8	20000	422
404681	LMP.80-SST-M20x75	395731	LMP.80-A4-M20x75	80	M20	75	19	3	15	10	20000	360
404683	LMP.80-SST-M20x100	395735	LMP.80-A4-M20x100	80	M20	100	19	3	15	10	20000	389
404685	LMP.80-SST-M20x125	395739	LMP.80-A4-M20x125	80	M20	125	19	3	15	10	20000	404
404687	LMP.80-SST-M20x150	395743	LMP.80-A4-M20x150	80	M20	150	19	3	15	10	20000	463
404689	LMP.80-SST-M20x200	395747	LMP.80-A4-M20x200	80	M20	200	19	3	15	10	20000	504
404693	LMP.80-SST-M24x100	395771	LMP.80-A4-M24x100	80	M24	100	22	3	19	12	22000	505
404695	LMP.80-SST-M24x125	395775	LMP.80-A4-M24x125	80	M24	125	22	3	19	12	22000	627
404697	LMP.80-SST-M24x150	395779	LMP.80-A4-M24x150	80	M24	150	22	3	19	12	22000	680
404698	LMP.80-SST-M24x200	395783	LMP.80-A4-M24x200	80	M24	200	22	3	19	12	22000	768

LMP-SST-TR
LMP-A4-TR
(M8-M10-M12)

LMP-SST-TR
(M16-M20-M24)

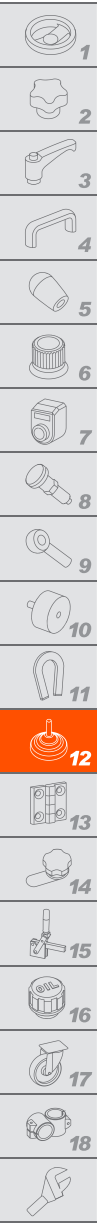
LMP-A4-TR
(M16-M20-M24)

Conversion Table 1 mm = 0.039 inch	
D	
mm	inch
43	1.69
54	2.13
64	2.52
80	3.15
84	3.31



LMP-SST-TR (d - l)		LMP-A4-TR (d - l)		INOX STAINLESS STEEL		METRIC				Max. limit static load [N]			
Code	Description	Code	Description	D	d	l	l1	l2	l3	s	s#		
404701	LMP.40-SST-M8x40-TR	395063	LMP.40-A4-M8x40-TR	43	M8	40	11	5	1.5	17	-	8000	41
404702	LMP.40-SST-M8x50-TR	395067	LMP.40-A4-M8x50-TR	43	M8	50	11	5	1.5	17	-	8000	46
404703	LMP.40-SST-M8x63-TR	395071	LMP.40-A4-M8x63-TR	43	M8	63	11	5	1.5	17	-	8000	56
404711	LMP.40-SST-M10x50-TR	395003	LMP.40-A4-M10x50-TR	43	M10	50	11	5	1.5	17	-	12000	61
404713	LMP.40-SST-M10x60-TR	395007	LMP.40-A4-M10x60-TR	43	M10	60	11	5	1.5	17	-	12000	71
404715	LMP.40-SST-M10x80-TR	395011	LMP.40-A4-M10x80-TR	43	M10	80	11	5	1.5	17	-	12000	81
404717	LMP.40-SST-M10x100-TR	395015	LMP.40-A4-M10x100-TR	43	M10	100	11	5	1.5	17	-	12000	101
404721	LMP.40-SST-M12x60-TR	395033	LMP.40-A4-M12x60-TR	43	M12	60	11	5	1.5	17	-	12000	91
404723	LMP.40-SST-M12x80-TR	395037	LMP.40-A4-M12x80-TR	43	M12	80	11	5	1.5	17	-	12000	102
404725	LMP.40-SST-M12x100-TR	395041	LMP.40-A4-M12x100-TR	43	M12	100	11	5	1.5	17	-	12000	120
404727	LMP.40-SST-M12x125-TR	395045	LMP.40-A4-M12x125-TR	43	M12	125	11	5	1.5	17	-	12000	142
404731	LMP.40-SST-M16x75-TR	395092	LMP.40-A4-M16x75-TR	43	M16	75	17	5	1.5	12	8	12000	155
404733	LMP.40-SST-M16x100-TR	395095	LMP.40-A4-M16x100-TR	43	M16	100	17	5	1.5	12	8	12000	180
404735	LMP.40-SST-M16x125-TR	395098	LMP.40-A4-M16x125-TR	43	M16	125	17	5	1.5	12	8	12000	205
404737	LMP.40-SST-M16x150-TR	395101	LMP.40-A4-M16x150-TR	43	M16	150	17	5	1.5	12	8	12000	255
404739	LMP.40-SST-M16x200-TR	395104	LMP.40-A4-M16x200-TR	43	M16	200	17	5	1.5	12	8	12000	322

only for LMP-SST



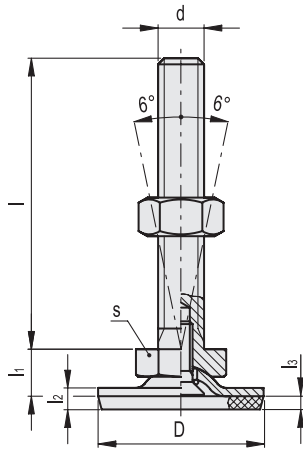
Levelling feet and supports

INOX STAINLESS STEEL **METRIC**

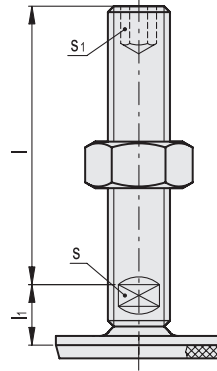
LMP-SST-TR (d - l)		LMP-A4-TR (d - l)												Max. limit static load [N]	
Code	Description	Code	Description	D	d	l	l1	l2	l3	s	s1#				
404751	LMP.50-SST-M8x40-TR	395203	LMP.50-A4-M8x40-TR	54	M8	40	11	6	2	17	-	8000	71		
404752	LMP.50-SST-M8x50-TR	395207	LMP.50-A4-M8x50-TR	54	M8	50	11	6	2	17	-	8000	79		
404753	LMP.50-SST-M8x63-TR	395211	LMP.50-A4-M8x63-TR	54	M8	63	11	6	2	17	-	8000	77		
404761	LMP.50-SST-M10x50-TR	395233	LMP.50-A4-M10x50-TR	54	M10	50	11	6	2	17	-	14000	101		
404763	LMP.50-SST-M10x60-TR	395237	LMP.50-A4-M10x60-TR	54	M10	60	11	6	2	17	-	14000	112		
404765	LMP.50-SST-M10x80-TR	395241	LMP.50-A4-M10x80-TR	54	M10	80	11	6	2	17	-	14000	122		
404767	LMP.50-SST-M10x100-TR	395245	LMP.50-A4-M10x100-TR	54	M10	100	11	6	2	17	-	14000	142		
404771	LMP.50-SST-M12x60-TR	395263	LMP.50-A4-M12x60-TR	54	M12	60	11	6	2	17	-	14000	122		
404773	LMP.50-SST-M12x80-TR	395267	LMP.50-A4-M12x80-TR	54	M12	80	11	6	2	17	-	14000	132		
404775	LMP.50-SST-M12x100-TR	395271	LMP.50-A4-M12x100-TR	54	M12	100	11	6	2	17	-	14000	143		
404777	LMP.50-SST-M12x125-TR	395275	LMP.50-A4-M12x125-TR	54	M12	125	11	6	2	17	-	14000	162		
404781	LMP.50-SST-M16x75-TR	395293	LMP.50-A4-M16x75-TR	54	M16	75	17	6	2	12	8	14000	180		
404783	LMP.50-SST-M16x100-TR	395297	LMP.50-A4-M16x100-TR	54	M16	100	17	6	2	12	8	14000	222		
404785	LMP.50-SST-M16x125-TR	395301	LMP.50-A4-M16x125-TR	54	M16	125	17	6	2	12	8	14000	253		
404787	LMP.50-SST-M16x150-TR	395305	LMP.50-A4-M16x150-TR	54	M16	150	17	6	2	12	8	14000	282		
404789	LMP.50-SST-M16x200-TR	395309	LMP.50-A4-M16x200-TR	54	M16	200	17	6	2	12	8	14000	400		
404801	LMP.60-SST-M8x40-TR	395403	LMP.60-A4-M8x40-TR	64	M8	40	11	6	2	17	-	8000	81		
404802	LMP.60-SST-M8x50-TR	395407	LMP.60-A4-M8x50-TR	64	M8	50	11	6	2	17	-	8000	90		
404803	LMP.60-SST-M8x63-TR	395411	LMP.60-A4-M8x63-TR	64	M8	63	11	6	2	17	-	8000	101		
404811	LMP.60-SST-M10x50-TR	395433	LMP.60-A4-M10x50-TR	64	M10	50	11	6	2	17	-	14000	120		
404813	LMP.60-SST-M10x60-TR	395437	LMP.60-A4-M10x60-TR	64	M10	60	11	6	2	17	-	14000	132		
404815	LMP.60-SST-M10x80-TR	395441	LMP.60-A4-M10x80-TR	64	M10	80	11	6	2	17	-	14000	152		
404817	LMP.60-SST-M10x100-TR	395445	LMP.60-A4-M10x100-TR	64	M10	100	11	6	2	17	-	14000	182		
404821	LMP.60-SST-M12x60-TR	395463	LMP.60-A4-M12x60-TR	64	M12	60	11	6	2	17	-	16000	122		
404823	LMP.60-SST-M12x80-TR	395467	LMP.60-A4-M12x80-TR	64	M12	80	11	6	2	17	-	16000	152		
404825	LMP.60-SST-M12x100-TR	395471	LMP.60-A4-M12x100-TR	64	M12	100	11	6	2	17	-	16000	182		
404827	LMP.60-SST-M12x125-TR	395475	LMP.60-A4-M12x125-TR	64	M12	125	11	6	2	17	-	16000	202		
404831	LMP.60-SST-M16x75-TR	395493	LMP.60-A4-M16x75-TR	64	M16	75	17	6	2	12	8	16000	212		
404833	LMP.60-SST-M16x100-TR	395497	LMP.60-A4-M16x100-TR	64	M16	100	17	6	2	12	8	16000	232		
404835	LMP.60-SST-M16x125-TR	395501	LMP.60-A4-M16x125-TR	64	M16	125	17	6	2	12	8	16000	253		
404837	LMP.60-SST-M16x150-TR	395505	LMP.60-A4-M16x150-TR	64	M16	150	17	6	2	12	8	16000	273		
404839	LMP.60-SST-M16x200-TR	395509	LMP.60-A4-M16x200-TR	64	M16	200	17	6	2	12	8	16000	357		
404841	LMP.80-SST-M8x40-TR	395603	LMP.80-A4-M8x40-TR	84	M8	40	12	7	2	17	-	8000	162		
404842	LMP.80-SST-M8x50-TR	395607	LMP.80-A4-M8x50-TR	84	M8	50	12	7	2	17	-	8000	162		
404843	LMP.80-SST-M8x63-TR	395611	LMP.80-A4-M8x63-TR	84	M8	63	12	7	2	17	-	8000	162		
404851	LMP.80-SST-M10x50-TR	395633	LMP.80-A4-M10x50-TR	84	M10	50	12	7	2	17	-	14000	162		
404853	LMP.80-SST-M10x60-TR	395637	LMP.80-A4-M10x60-TR	84	M10	60	12	7	2	17	-	14000	182		
404855	LMP.80-SST-M10x80-TR	395641	LMP.80-A4-M10x80-TR	84	M10	80	12	7	2	17	-	14000	202		
404857	LMP.80-SST-M10x100-TR	395645	LMP.80-A4-M10x100-TR	84	M10	100	12	7	2	17	-	14000	222		
404861	LMP.80-SST-M12x60-TR	395663	LMP.80-A4-M12x60-TR	84	M12	60	12	7	2	17	-	20000	202		
404863	LMP.80-SST-M12x80-TR	395667	LMP.80-A4-M12x80-TR	84	M12	80	12	7	2	17	-	20000	212		
404865	LMP.80-SST-M12x100-TR	395671	LMP.80-A4-M12x100-TR	84	M12	100	12	7	2	17	-	20000	232		
404867	LMP.80-SST-M12x125-TR	395675	LMP.80-A4-M12x125-TR	84	M12	125	12	7	2	17	-	20000	242		
404871	LMP.80-SST-M16x75-TR	395693	LMP.80-A4-M16x75-TR	84	M16	75	18	7	2	12	8	20000	283		
404873	LMP.80-SST-M16x100-TR	395697	LMP.80-A4-M16x100-TR	84	M16	100	18	7	2	12	8	20000	303		
404875	LMP.80-SST-M16x125-TR	395701	LMP.80-A4-M16x125-TR	84	M16	125	18	7	2	12	8	20000	364		
404877	LMP.80-SST-M16x150-TR	395705	LMP.80-A4-M16x150-TR	84	M16	150	18	7	2	12	8	20000	384		
404879	LMP.80-SST-M16x200-TR	395709	LMP.80-A4-M16x200-TR	84	M16	200	18	7	2	12	8	20000	403		
404881	LMP.80-SST-M20x75-TR	395733	LMP.80-A4-M20x75-TR	84	M20	75	19	7	2	15	10	20000	364		
404883	LMP.80-SST-M20x100-TR	395737	LMP.80-A4-M20x100-TR	84	M20	100	19	7	2	15	10	20000	394		
404885	LMP.80-SST-M20x125-TR	395741	LMP.80-A4-M20x125-TR	84	M20	125	19	7	2	15	10	20000	414		
404887	LMP.80-SST-M20x150-TR	395745	LMP.80-A4-M20x150-TR	84	M20	150	19	7	2	15	10	20000	444		
404889	LMP.80-SST-M20x200-TR	395749	LMP.80-A4-M20x200-TR	84	M20	200	19	7	2	15	10	20000	599		
404893	LMP.80-SST-M24x100-TR	395773	LMP.80-A4-M24x100-TR	84	M24	100	22	7	2	19	12	22000	566		
404895	LMP.80-SST-M24x125-TR	395777	LMP.80-A4-M24x125-TR	84	M24	125	22	7	2	19	12	22000	687		
404897	LMP.80-SST-M24x150-TR	395781	LMP.80-A4-M24x150-TR	84	M24	150	22	7	2	19	12	22000	704		
404898	LMP.80-SST-M24x200-TR	395785	LMP.80-A4-M24x200-TR	84	M24	200	22	7	2	19	12	22000	768		

6 # only for LMP-SST

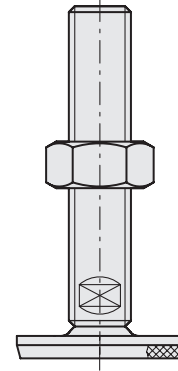
LMP-SST-TV
LMP-A4-TV
(M8-M10-M12)



LMP-SST-TV
(M16-M20-M24)



LMP-A4-TV
(M16-M20-M24)



Conversion Table	
1 mm = 0.039 inch	
mm	inch
40	1.57
50	1.97

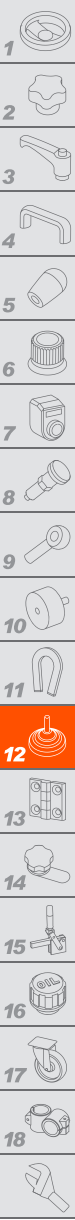
LMP-SST-TV (d - l)

LMP-A4-TV (d - l)

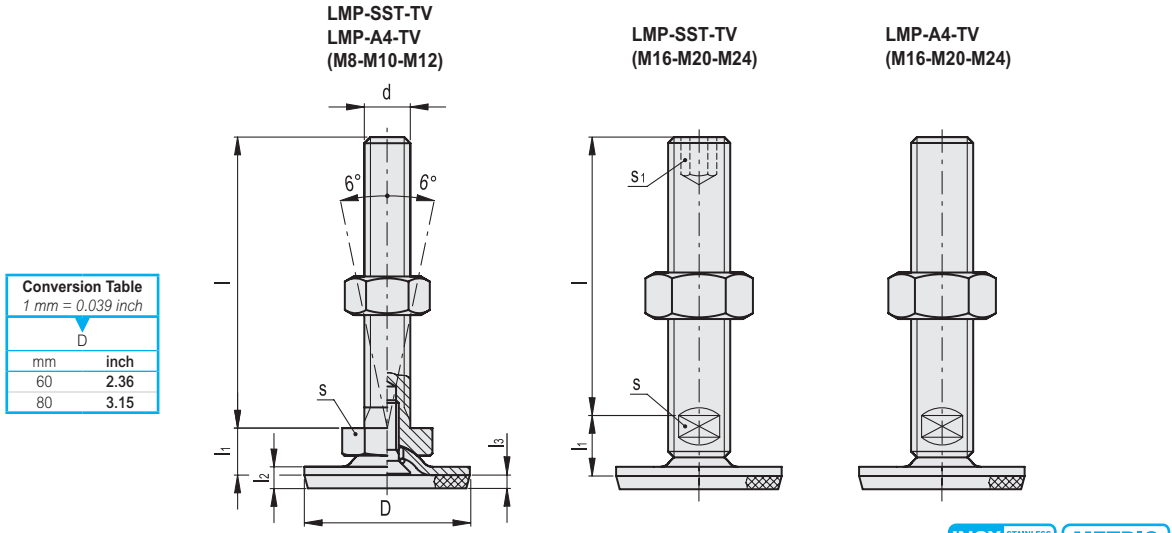
INOX STAINLESS STEEL METRIC

Code	Description	Code	Description	D	d	l	l1	l2	l3	s	s#	Max. limit static load [N]	
403503	LMP.40-SST-M8x40-TV	395064	LMP.40-A4-M8x40-TV	40	M8	40	11	5.5	3.5	17	-	8000	41
403505	LMP.40-SST-M8x63-TV	395068	LMP.40-A4-M8x50-TV	40	M8	50	11	5.5	3.5	17	-	8000	46
403504	LMP.40-SST-M8x50-TV	395072	LMP.40-A4-M8x63-TV	40	M8	63	11	5.5	3.5	17	-	8000	56
403506	LMP.40-SST-M10x50-TV	395004	LMP.40-A4-M10x50-TV	40	M10	50	11	5.5	3.5	17	-	12000	61
403507	LMP.40-SST-M10x60-TV	395008	LMP.40-A4-M10x60-TV	40	M10	60	11	5.5	3.5	17	-	12000	71
403508	LMP.40-SST-M10x80-TV	395012	LMP.40-A4-M10x80-TV	40	M10	80	11	5.5	3.5	17	-	12000	81
403509	LMP.40-SST-M10x100-TV	395016	LMP.40-A4-M10x100-TV	40	M10	100	11	5.5	3.5	17	-	12000	101
403510	LMP.40-SST-M12x60-TV	395034	LMP.40-A4-M12x60-TV	40	M12	60	11	5.5	3.5	17	-	12000	91
403511	LMP.40-SST-M12x80-TV	395038	LMP.40-A4-M12x80-TV	40	M12	80	11	5.5	3.5	17	-	12000	102
403512	LMP.40-SST-M12x100-TV	395042	LMP.40-A4-M12x100-TV	40	M12	100	11	5.5	3.5	17	-	12000	120
403513	LMP.40-SST-M12x125-TV	395046	LMP.40-A4-M12x125-TV	40	M12	125	11	5.5	3.5	17	-	12000	142
403514	LMP.40-SST-M16x75-TV	395093	LMP.40-A4-M16x75-TV	40	M16	75	17	5.5	3.5	12	8	12000	155
403515	LMP.40-SST-M16x100-TV	395096	LMP.40-A4-M16x100-TV	40	M16	100	17	5.5	3.5	12	8	12000	180
403516	LMP.40-SST-M16x125-TV	395099	LMP.40-A4-M16x125-TV	40	M16	125	17	5.5	3.5	12	8	12000	205
403517	LMP.40-SST-M16x150-TV	395102	LMP.40-A4-M16x150-TV	40	M16	150	17	5.5	3.5	12	8	12000	255
403518	LMP.40-SST-M16x200-TV	395105	LMP.40-A4-M16x200-TV	40	M16	200	17	5.5	3.5	12	8	12000	322
403523	LMP.50-SST-M8x40-TV	395204	LMP.50-A4-M8x40-TV	50	M8	40	11	6.5	4	17	-	8000	71
403524	LMP.50-SST-M8x50-TV	395208	LMP.50-A4-M8x50-TV	50	M8	50	11	6.5	4	17	-	8000	77
403525	LMP.50-SST-M8x63-TV	395212	LMP.50-A4-M8x63-TV	50	M8	63	11	6.5	4	17	-	8000	79
403526	LMP.50-SST-M10x50-TV	395234	LMP.50-A4-M10x50-TV	50	M10	50	11	6.5	4	17	-	14000	101
403527	LMP.50-SST-M10x60-TV	395238	LMP.50-A4-M10x60-TV	50	M10	60	11	6.5	4	17	-	14000	112
403528	LMP.50-SST-M10x80-TV	395242	LMP.50-A4-M10x80-TV	50	M10	80	11	6.5	4	17	-	14000	122
403529	LMP.50-SST-M10x100-TV	395246	LMP.50-A4-M10x100-TV	50	M10	100	11	6.5	4	17	-	14000	142
403530	LMP.50-SST-M12x60-TV	395264	LMP.50-A4-M12x60-TV	50	M12	60	11	6.5	4	17	-	14000	122
403531	LMP.50-SST-M12x80-TV	395268	LMP.50-A4-M12x80-TV	50	M12	80	11	6.5	4	17	-	14000	132
403532	LMP.50-SST-M12x100-TV	395272	LMP.50-A4-M12x100-TV	50	M12	100	11	6.5	4	17	-	14000	143
403533	LMP.50-SST-M12x125-TV	395276	LMP.50-A4-M12x125-TV	50	M12	125	11	6.5	4	17	-	14000	162
403534	LMP.50-SST-M16x75-TV	395294	LMP.50-A4-M16x75-TV	50	M16	75	17	6.5	4	12	8	14000	180
403535	LMP.50-SST-M16x100-TV	395298	LMP.50-A4-M16x100-TV	50	M16	100	17	6.5	4	12	8	14000	222
403536	LMP.50-SST-M16x125-TV	395302	LMP.50-A4-M16x125-TV	50	M16	125	17	6.5	4	12	8	14000	253
403537	LMP.50-SST-M16x150-TV	395306	LMP.50-A4-M16x150-TV	50	M16	150	17	6.5	4	12	8	14000	282
403538	LMP.50-SST-M16x200-TV	395310	LMP.50-A4-M16x200-TV	50	M16	200	17	6.5	4	12	8	14000	400

only for LMP-SST



- 1
- 2
- 3
- 4
- 5
- 6
- 7
- 8
- 9
- 10
- 11
- 12
- 13
- 14
- 15
- 16
- 17
- 18



Conversion Table
1 mm = 0.039 inch

D	
mm	inch
60	2.36
80	3.15

INOX STAINLESS STEEL **METRIC**

LMP-SST-TV (d - I)

LMP-A4-TV (d - I)

Code	Description	Code	Description	D	d	l	l1	l2	l3	s	s1#	Max. limit static load [N]	Δ
403544	LMP.60-SST-M8x40-TV	395404	LMP.60-A4-M8x40-TV	60	M8	40	11	7	4.5	17	-	8000	81
403545	LMP.60-SST-M8x50-TV	395408	LMP.60-A4-M8x50-TV	60	M8	50	11	7	4.5	17	-	8000	90
403546	LMP.60-SST-M8x63-TV	395412	LMP.60-A4-M8x63-TV	60	M8	63	11	7	4.5	17	-	8000	101
403547	LMP.60-SST-M10x50-TV	395434	LMP.60-A4-M10x50-TV	60	M10	50	11	7	4.5	17	-	14000	120
403548	LMP.60-SST-M10x60-TV	395438	LMP.60-A4-M10x60-TV	60	M10	60	11	7	4.5	17	-	14000	132
403549	LMP.60-SST-M10x80-TV	395442	LMP.60-A4-M10x80-TV	60	M10	80	11	7	4.5	17	-	14000	152
403550	LMP.60-SST-M10x100-TV	395446	LMP.60-A4-M10x100-TV	60	M10	100	11	7	4.5	17	-	14000	182
403551	LMP.60-SST-M12x60-TV	395464	LMP.60-A4-M12x60-TV	60	M12	60	11	7	4.5	17	-	16000	122
403552	LMP.60-SST-M12x80-TV	395468	LMP.60-A4-M12x80-TV	60	M12	80	11	7	4.5	17	-	16000	152
403553	LMP.60-SST-M12x100-TV	395472	LMP.60-A4-M12x100-TV	60	M12	100	11	7	4.5	17	-	16000	182
403554	LMP.60-SST-M12x125-TV	395476	LMP.60-A4-M12x125-TV	60	M12	125	11	7	4.5	17	-	16000	202
403555	LMP.60-SST-M16x75-TV	395494	LMP.60-A4-M16x75-TV	60	M16	75	17	7	4.5	12	8	16000	212
403556	LMP.60-SST-M16x100-TV	395498	LMP.60-A4-M16x100-TV	60	M16	100	17	7	4.5	12	8	16000	232
403557	LMP.60-SST-M16x125-TV	395502	LMP.60-A4-M16x125-TV	60	M16	125	17	7	4.5	12	8	16000	253
403558	LMP.60-SST-M16x150-TV	395506	LMP.60-A4-M16x150-TV	60	M16	150	17	7	4.5	12	8	16000	273
403559	LMP.60-SST-M16x200-TV	395510	LMP.60-A4-M16x200-TV	60	M16	200	17	7	4.5	12	8	16000	357
403564	LMP.80-SST-M8x40-TV	395604	LMP.80-A4-M8x40-TV	80	M8	40	12	8	5	17	-	8000	162
403565	LMP.80-SST-M8x50-TV	395608	LMP.80-A4-M8x50-TV	80	M8	50	12	8	5	17	-	8000	170
403566	LMP.80-SST-M8x63-TV	395612	LMP.80-A4-M8x63-TV	80	M8	63	12	8	5	17	-	8000	174
403567	LMP.80-SST-M10x50-TV	395634	LMP.80-A4-M10x50-TV	80	M10	50	12	8	5	17	-	14000	170
403568	LMP.80-SST-M10x60-TV	395638	LMP.80-A4-M10x60-TV	80	M10	60	12	8	5	17	-	14000	182
403569	LMP.80-SST-M10x80-TV	395642	LMP.80-A4-M10x80-TV	80	M10	80	12	8	5	17	-	14000	202
403570	LMP.80-SST-M10x100-TV	395646	LMP.80-A4-M10x100-TV	80	M10	100	12	8	5	17	-	14000	222
403571	LMP.80-SST-M12x60-TV	395664	LMP.80-A4-M12x60-TV	80	M12	60	12	8	5	17	-	20000	202
403572	LMP.80-SST-M12x80-TV	395668	LMP.80-A4-M12x80-TV	80	M12	80	12	8	5	17	-	20000	212
403573	LMP.80-SST-M12x100-TV	395672	LMP.80-A4-M12x100-TV	80	M12	100	12	8	5	17	-	20000	232
403574	LMP.80-SST-M12x125-TV	395676	LMP.80-A4-M12x125-TV	80	M12	125	12	8	5	17	-	20000	242
403575	LMP.80-SST-M16x75-TV	395694	LMP.80-A4-M16x75-TV	80	M16	75	18	8	5	12	8	20000	283
403576	LMP.80-SST-M16x100-TV	395698	LMP.80-A4-M16x100-TV	80	M16	100	18	8	5	12	8	20000	303
403577	LMP.80-SST-M16x125-TV	395702	LMP.80-A4-M16x125-TV	80	M16	125	18	8	5	12	8	20000	364
403578	LMP.80-SST-M16x150-TV	395706	LMP.80-A4-M16x150-TV	80	M16	150	18	8	5	12	8	20000	384
403579	LMP.80-SST-M16x200-TV	395710	LMP.80-A4-M16x200-TV	80	M16	200	18	8	5	12	8	20000	403
403580	LMP.80-SST-M20x75-TV	395734	LMP.80-A4-M20x75-TV	80	M20	75	19	8	5	15	10	20000	364
403581	LMP.80-SST-M20x100-TV	395738	LMP.80-A4-M20x100-TV	80	M20	100	19	8	5	15	10	20000	394
403582	LMP.80-SST-M20x125-TV	395742	LMP.80-A4-M20x125-TV	80	M20	125	19	8	5	15	10	20000	414
403583	LMP.80-SST-M20x150-TV	395746	LMP.80-A4-M20x150-TV	80	M20	150	19	8	5	15	10	20000	444
403584	LMP.80-SST-M20x200-TV	395750	LMP.80-A4-M20x200-TV	80	M20	200	19	8	5	15	10	20000	599
403585	LMP.80-SST-M24x100-TV	395774	LMP.80-A4-M24x100-TV	80	M24	100	22	8	5	19	12	22000	566
403586	LMP.80-SST-M24x125-TV	395778	LMP.80-A4-M24x125-TV	80	M24	125	22	8	5	19	12	22000	687
403587	LMP.80-SST-M24x150-TV	395782	LMP.80-A4-M24x150-TV	80	M24	150	22	8	5	19	12	22000	704
403588	LMP.80-SST-M24x200-TV	395786	LMP.80-A4-M24x200-TV	80	M24	200	22	8	5	19	12	22000	768

Levelling feet and supports